

**boss**  
design



**Boss Design Ltd**

[www.boss-design.co.uk](http://www.boss-design.co.uk)  
[sales@boss-design.co.uk](mailto:sales@boss-design.co.uk)

**Head Office**

Boss Drive  
Dudley  
DY2 8SZ  
United Kingdom

T: +44 (0) 1384 455 570  
F: +44 (0) 1384 241 628

**London Showroom**

Charterhouse Square  
7 Clerkenwell Road  
London EC1M 5PA  
United Kingdom

T: +44 (0) 20 7253 0364  
F: +44 (0) 20 7608 0160

| kruze lounge



THE OFFICE  
AWARDS  
GOLD WINNER

boss  
design

# kruze lounge

designed by David Fox





Classic meets contemporary was the design philosophy behind the Kruze Lounge chair. Designed to ensure maximum comfort through its sculpted and sumptuous profile, Kruze Lounge is the ultimate statement piece for any front of house or corporate executive area.

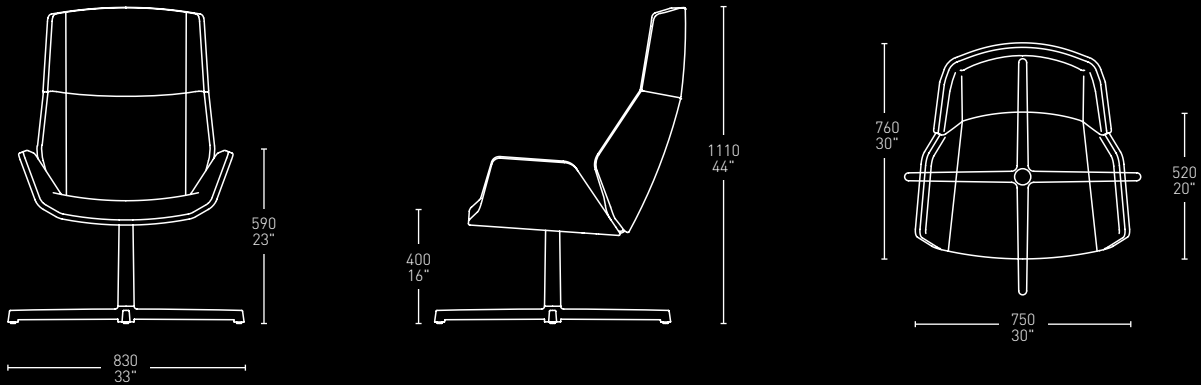
Kruze Lounge offers either a classic fully upholstered chair or a contemporary slim-line option. As an alternative the back may also be specified with a show-wood outer veneer in Black American Walnut.

## | the kruze collection



Kruze Lounge builds on the styling of the original Kruze collection which consists of a chair that can be specified with either a recycled aluminium 4-star base or a 4-legged frame, and a stool that can be specified with or without a back on a polished 4-legged frame.

# kruze lounge



## Options

The Kruze Lounge offers the choice of a fully upholstered chair or a contemporary slim-line option. It can also be specified with a show-wood outer veneer back in Black American Walnut, with alternative veneers available on request.

The Kruze Lounge chair comes as standard with a polished 4-star base. Alternatively a chrome 4-star pedestal base may be specified. A complementary footstool is also available.

## Environmental statement

At Boss Design we are passionate about caring for the environment. We are holders of the Queen's Award for Enterprise for Sustainable Development, FSC accredited and a carbon neutral company.

Not prepared to compromise on quality, wherever possible we purchase raw materials with the highest recycled content. We work with like-minded suppliers who use raw materials and components obtained only from ethical sources.

We constantly review our global logistics operation to ensure that we minimise any negative impact on the environment.

We actively monitor the carbon footprint of our products throughout their life-cycle and work closely with the Greenworks organisation to deliver our award winning end-of-life product management process. This service allows clients old corporate furniture to be collected, redistributed and reused by local good causes. Where furniture is not fit for reuse it is broken down and recycled.

